

SEC-ASD-RDU-BASIC



Product Overview

Compatible with the entire range of Securition aspirated smoke detectors.

The Remote Display Unit can be a vital component for monitoring and reporting the status of a Securition aspirating smoke detector.

This display module offers a clear visual representation of the Alarm, Fault, and Disablement status of the connected unit.

Designed with practicality in mind, the unit is both compact and easy to install. It can be conveniently mounted up to 100 meters away from the Securition detector, allowing for basic control and providing continuous visibility into the states of a single Securition detector.

For added security, the unit can be equipped with a key switch to prevent unauthorized access.

Visual Indications

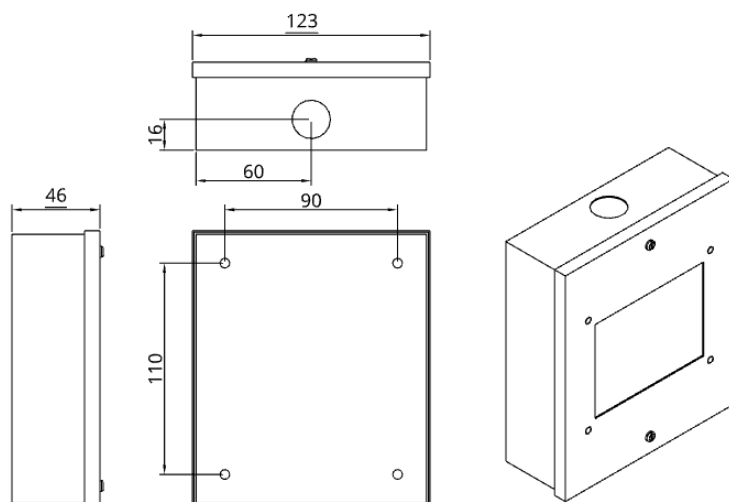
- 1. POWER:** Green indicator when power present.
- 2. ALARM:** Red indicator when ASD in alarm state.
- 3. FAULT:** Amber indicator when unit in fault.
- 4. DISABLE:** Amber indicator when unit locally disabled.

Controls

- 1. MUTE:** Silence internal buzzer.
- 2. RESET:** Resets the ASD and clears disablements.
- 3. DISABLE:** Disables the connected ASD.
- 4. KEY SWITCH:** Locks all controls, 1-3. (OPTIONAL)

SEC-ASD-RDU-BASIC

Specifications:



Specifications	Description
Operation Voltage Range	18 to 33V DC
Dimensions (WHD)	123mm x 144mm x 46mm
IP Rating	IP30
Finish	Epoxy powder coated
Colour - lid & box	BS 00 A 05 grey - fine texture
Optional IP54 Housing (STI14100NC)	183mm x 207mm x 85mm
Operation Temperature	0 to 45 deg C
Humidity	10-99% non-condensing
Indications	High Intensity LEDs
Push Button Keys	Tactile switch 100,000 cycles

Optional IP Rated Enclosure



STI14100NC

Universal Stopper

An indoor and outdoor, low profile polycarbonate cover.

- IP54 Rated
- Mechanical Protection
- Tamper Resistant

*refer to STI14100NC Data Sheet